

IngroundLite

3 x 1Watt high power Luxeon LEDs



Ray Power Control



Ray Driver



24V Power Supply

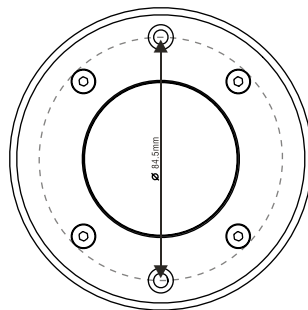
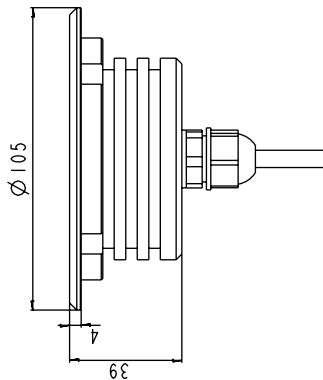
► FEATURES

- Rich color changing effect (also available in white LED)
- Very long operation life in excess of 50,000 hours
- Low energy consumption 9W
- Robust construction suitable for outdoor application
- Fully DMX controlled
- Ray Power Control build-in 7 preset programs with 8 selectable fade time & chasing speed

► SPECIFICATIONS

COLOR RANGE	16.7 million (24bit)
SOURCE LIFE	50,000 hours under normal operating conditions
LIGHT SOURCE	3 x 3 Watt high power Cree LEDs
POWER REQUIREMENT	350-700mA constant current supply
POWER CONSUMPTION	9W Max at full intensity (RGB)
BEAM ANGLE	15 deg (25, 45 deg optional)
HOUSING	Aluminum /stainless steel bezell
INGRESS PROTECTION RATING	IP67
CONNECTION	6-pin IP67 water proof connector
LISTING	CE certified
OPERATION TEMPERATURE	-10 degC to +50 degC
STORAGE TEMPERATURE	-20 degC to +70 degC
DIMENSION	105mm(Dia) x 39mm(Depth)
WEIGHT	0.7Kg
POWER AND CONTROL	Ray Power Control or Ray Driver + 24V Supply

► PHYSICAL DIMENSIONS



P/N: IL-9W-RGB-15-24V
P/N: IL-9W-CW-15-24V



** All rights reserved. Improvement and changes to specifications, design and all contents in this catalog, may be made at any time without prior notice.

PHOTOMETRIC DATA

Light source **specifications**

Optics: polycarbonate lens + tempered glass
 Light source: 3 high power Cree led (red, green, blue)
 Beam angle: 15 deg
 Light distribution: symmetric direct illumination

ILLUMINANCE

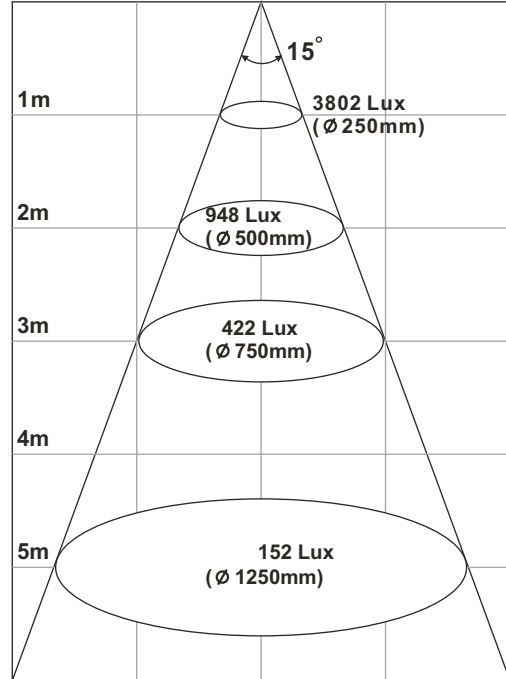
COLOR	1m		2m		3m		5m	
	Lux	Size (mm)	Lux	Size (mm)	Lux	Size (mm)	Lux	Size (mm)
RED	1478	250	366	500	82.2	750	164	1250
GREEN	2189	250	547	500	243	750	88	1250
BLUE	273	250	68	500	30	750	11	1250
WHITE	3802	250	948	500	422	750	152	1250

* light pattern indicates the size at 50% of peak intensity

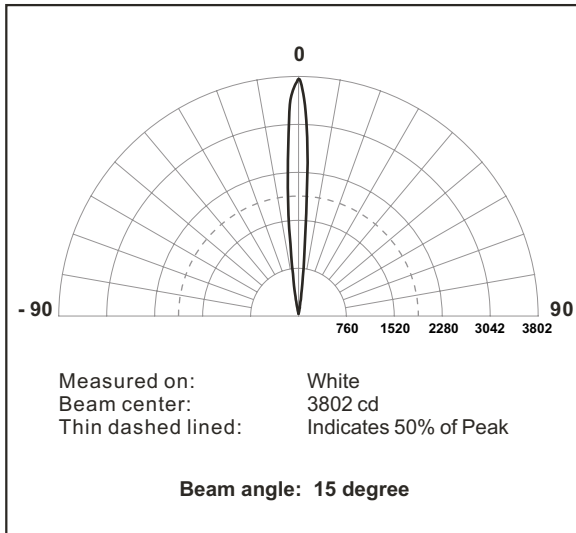
LIGHT OUTPUT

COLOR	Total (lumens)	Power(watts)	Efficacy(lm/W)
RED	102.6	2.3	44.6
GREEN	135.6	2.3	58.9
BLUE	6.3	2.3	n/a
WHITE	254	7	36.28

Full intensity in white color

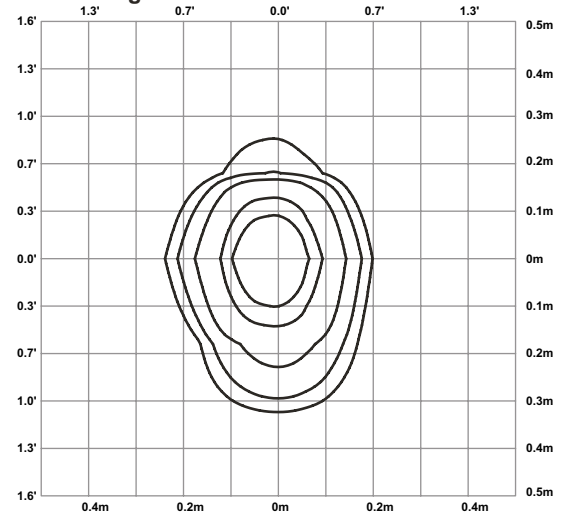


LIGHT DISTRIBUTION



IES file is also available

Isolux diagram

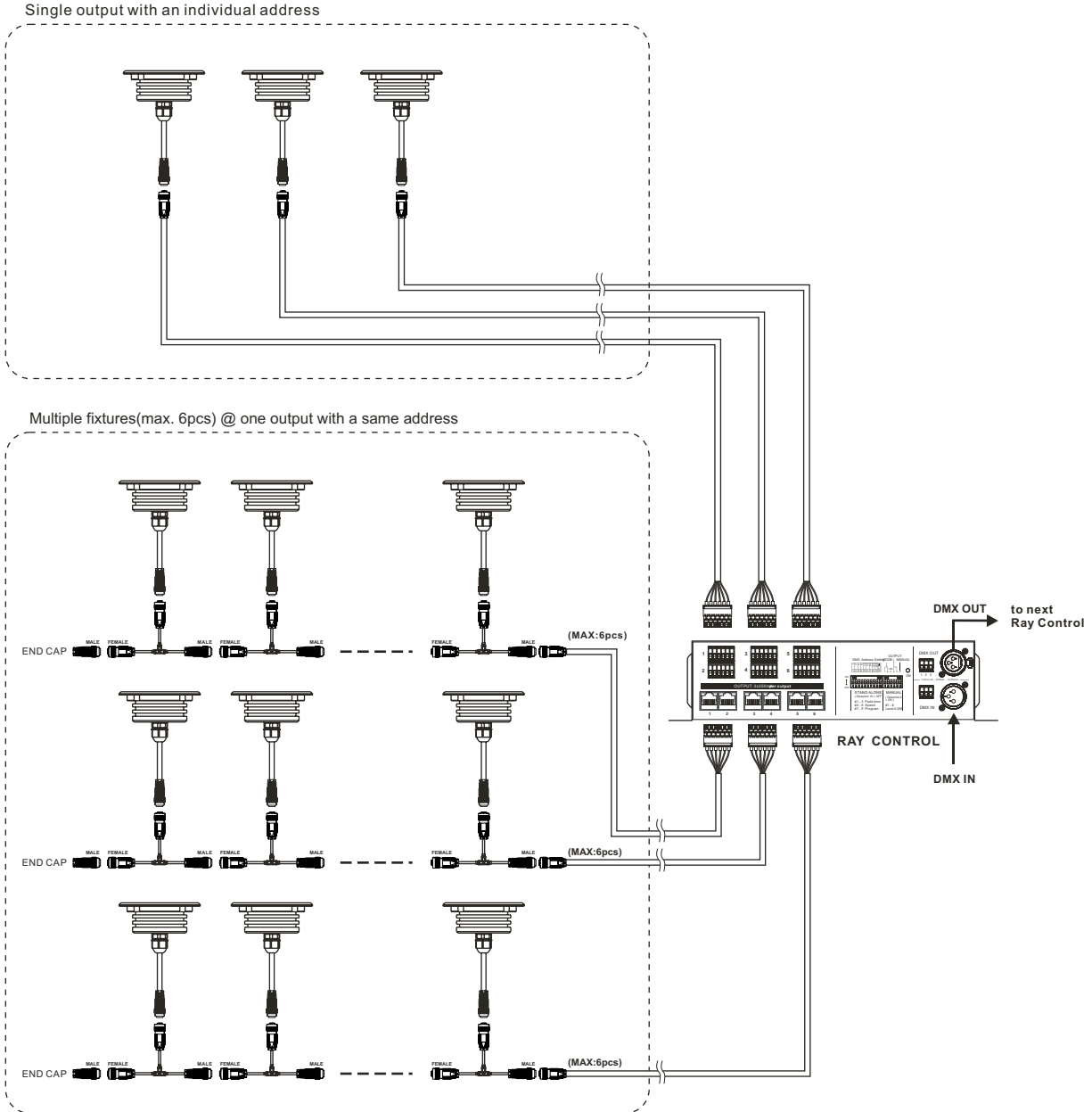


At 1m distance

- 3% 113.8lx
- 5% 189.6lx
- 10% 378lx
- 30% 1138lx
- 50% 1897lx

** All rights reserved. Improvement and changes to specifications, design and all contents in this catalog, may be made at any time without prior notice.

► SYSTEM CONFIGURATION



** All rights reserved. Improvement and changes to specifications, design and all contents in this catalog, may be made at any time without prior notice.