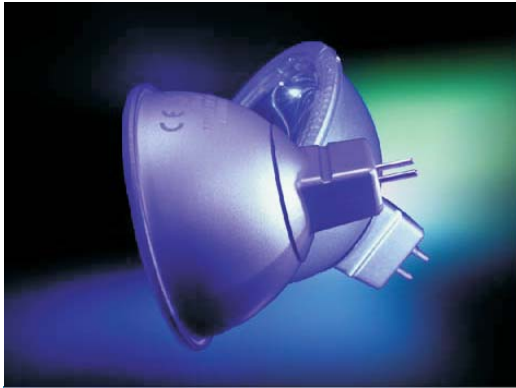


Indoor Lighting



lite MR-16 1 W is designed for a cool replacement for conventional Hologen MR-16 bulbs. The MR 16 1W will conserve energy and reduce heat in display units and showcases. Due to its optics, the MR 16 1W can enhance your products with tighter beam angles compared to conventional bulbs.

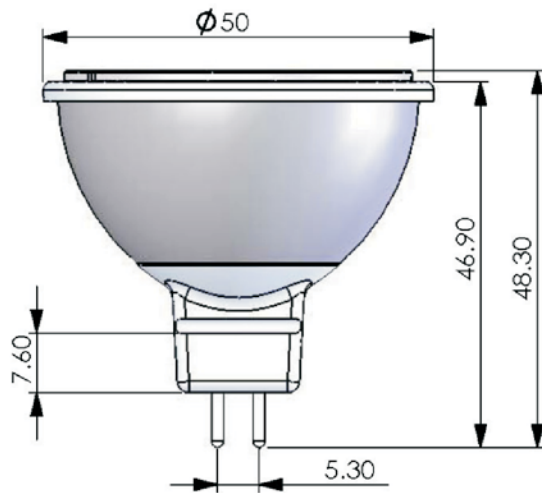
The MR 16 1W lamp fits into most standard low voltage MR 16 light fixtures with a GU 5.3 base. The MR 16 1W is available in 5 colors and is dimmable.

SPECIFICATIONS

Color : 5 Colors	Red/Green/Blue/Amber/White/Warm White
Operation Voltage	3 - 12 V AC/DC (dimmable)
Power Consumption	1.2W typical / 2W Max
Source	1 Watt Luxeon LED
Source Life	100,000 hours (50,000 for white lamps)
Base Type	MR 16 / GU 5.3
Operation temperature	-20 degC - +50 degC
Storage Temperature	-20 degC to +80 degC
Beam angle	6 degree standard, option - holographic diffuser
Weight:	30g
Dimension:	50(D) x 48(H)mm

LED Color	Blue	Green	Amber	Red	White (CCT)	Warm White (CCT)
Dominant Wavelength	455	530	590	627	5500K °	3200K °
Spectral Half-width	20nm	35nm	14nm	20nm	----	----

PHYSICAL DIMENSIONS



ORDERING CODE

Part Number	Description
MR16-1W-AMB-5-12V	MR-16, Amber dimmable lamp
MR16-1W-RED-5-12V	MR-16, Red dimmable lamp
MR16-1W-GRN-5-12V	MR-16, Green dimmable lamp
MR16-1W-BLU-5-12V	MR-16, Blue dimmable lamp
MR16-1W-CW-5-12V	MR-16, Cool White dimmable lamp
MR16-1W-WW-5-12V	MR-16, Warm White dimmable lamp

** All rights reserved. Improvement and changes to specifications, design and all contents in this catalog, may be made at any time without prior notice.

PHOTOMETRIC DATA

15 DEGREE Light Source Specifications

Optics: PMMA lens + PE diffuser
 Light source: 1 high power LED
 Beam angle: 6 degrees
 Light distribution: symmetric direct illumination

Illuminance

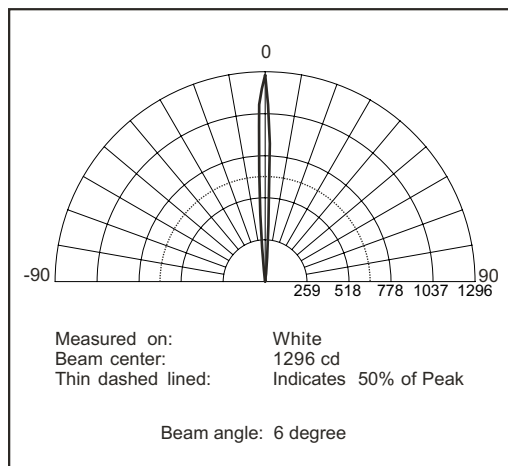
COLOR	1m		2m		3m		5m	
	Lux	Size (mm)	Lux	Size (mm)	Lux	Size (mm)	Lux	Size (mm)
Red	1917	90	497	180	213	270	76	450
Green	1369	105	342	210	152	315	55	530
Blue	305	100	76	200	34	300	12	500
Amber	649.6	90	163	180	72	270	26	450
White	1296	105	323	210	144	315	52	530
Warm White	526	125	132	250	58	380	21	630

* light pattern indicates the size at 50% of peak intensity

Light output

COLOR	Beam angle	Total (lumens)	Power (watts)	Efficacy (lm/W)
Red	5°	24.7	1.2	20.6
Green	6°	26.3	1.2	22
Blue	6°	5.2	1.2	n/a
Amber	5°	11.1	1.2	n/a
White	6°	22.2	1.2	18.5
Warm White	7°	14.5	1.2	12.1

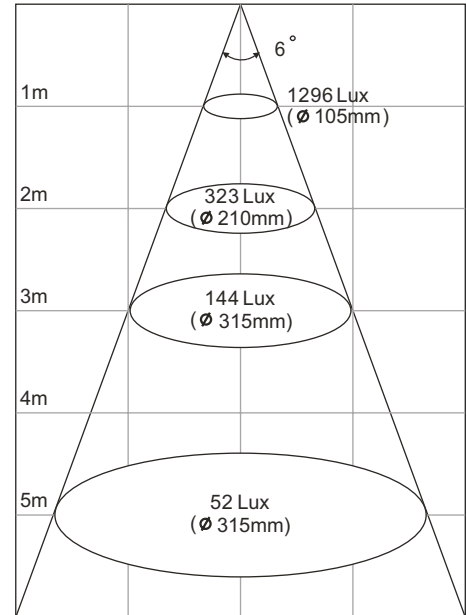
Light distribution



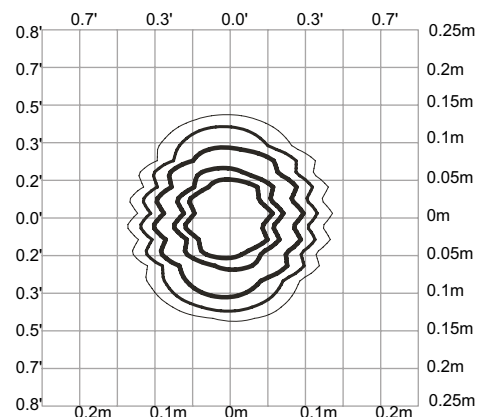
IES file is also available

Note: The beam angle characteristics or pattern shape is quite similar for White, Warm White, Blue and Green. Red and Amber will be slightly smaller.

White color



Isolux diagram



At 1 meter distance — 3% 38.8lx — 10% 129.4lx
 — 5% 64.7lx — 30% 388.1lx
 — 50% 646.8lx



Typical Application

** All rights reserved. Improvement and changes to specifications, design and all contents in this catalog, may be made at any time without prior notice.